



SuperSport 937
2016-2020
CABLE CLUTCH VERSION

FITTING INSTRUCTIONS
 TO BE FITTED BY A QUALIFIED TECHNICIAN



THIS SHEET INCLUDES FITTING INSTRUCTIONS FOR THE FOLLOWING PARTS:

Secondary Alternator Cover Part No. EC-937-2016-1-GBR / Secondary Clutch Cover Part No. EC-937-2016-2-GBR
 Secondary Oil Inspection Cover Part No. EC-1937-2016-4-GBR / Secondary Water Pump Cover Part No. EC-937-2016-5-GBR



SECONDARY ALTERNATOR COVER – PART NO. EC-937-2016-1-GBR

Please note - See Fig.2: Before fitment, please make sure you have a marker pen to mark spline for alignment. The bracket in Fig. 1 must not be removed to fit GBRacing covers.

- 1 Remove fairing.
- 2 Remove bolt 1 on the gear linkage arm (Fig. 2).
Before you remove the upper bolt 2, put a mark on the spline at the bottom of the slot (as shown). Then remove the upper bolt 2 and slide off the gear linkage arm.
- 3 Remove 4 existing bolts from the stock alternator cover, shown in Fig. 1 as position Bolt 1, 2, 3 & 4.
- 4 Place the secondary alternator cover over the stock cover.
- 5 Assemble 4 replacement bolts loosely in the correct position as shown in Fig. 1.
- 6 Tighten bolts to a Torque of 10Nm as per Manufacturer's recommendations. DO NOT OVERTIGHTEN.
- 7 Put the gear linkage arm back on the spline, ensuring the slot lines up with the mark you made earlier (Fig. 2).
- 8 Re-fit the push rod through the bottom of the arm as in Fig. 2 then reinstall bolt 1.
- 9 Re-fit Fairing.

**Bolt 4 - SPB6
M6X45A2-
10Nm (max)**

**Bolt 3 - SPB6
M6X40A2-
10Nm (max)**

**Bolt 2 - SPB6
M6X40A2-
10Nm (max)**

**Bolt 1 - SPB6
M6X40A2 -
10Nm (max)**



Fig. 2: GEAR LINKAGE ARM

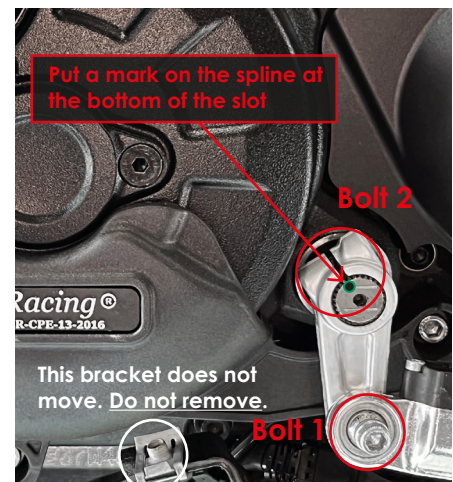
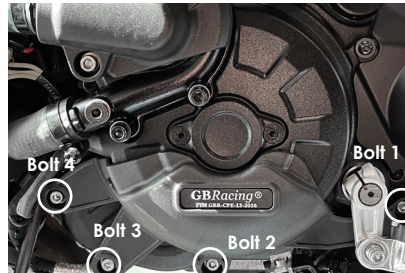


Fig. 1



SECONDARY CLUTCH COVER – PART NO. EC-937-2016-2-GBR

THIS IS FOR CABLE CLUTCH VERSION ONLY

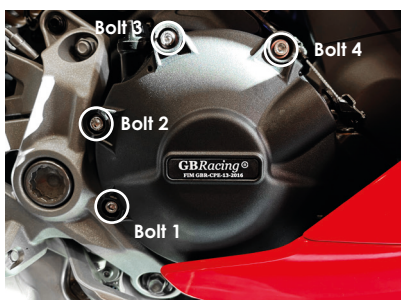
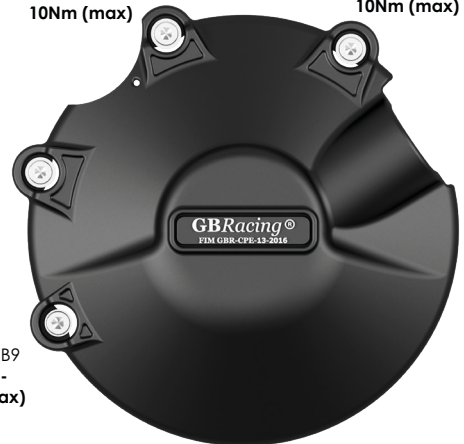
- 1 Remove fairing.
- 2 Remove 4 existing bolts from the clutch cover, shown as position Bolt 1, 2, 3 & 4.
- 3 Place the secondary clutch cover over the stock cover.
- 4 Assemble 4 replacement bolts loosely in the correct position as shown.
- 5 Tighten bolts to a Torque of 10Nm as per Manufacturer's recommendations. DO NOT OVERTIGHTEN.
- 6 Re-fit fairing.

**Bolt 3 - SPB4
M6X90A2-
10Nm (max)**

**Bolt 4 - SPB4
M6X90A2-
10Nm (max)**

**Bolt 2 - SPB4
M6X90A2-
10Nm (max)**

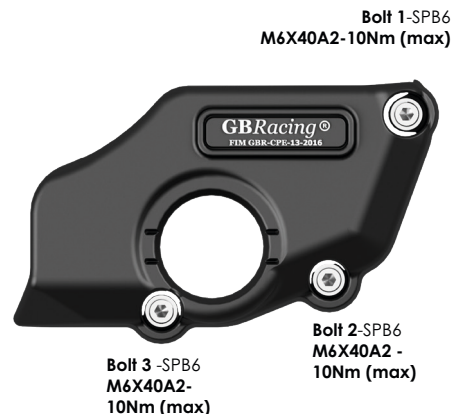
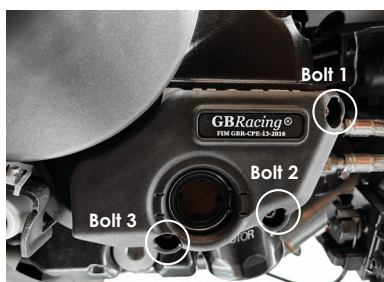
**Bolt 1 - SPB9
M6X95A2-
10Nm (max)**





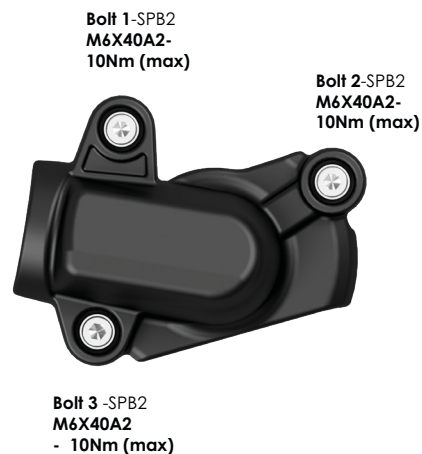
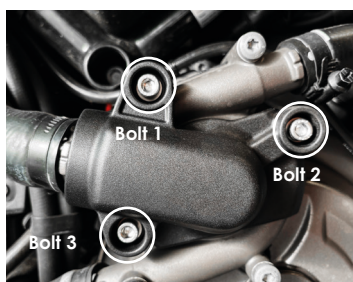
SECONDARY OIL INSPECTION COVER – PART NO. EC-937-2016-4-GBR

- 1 Remove fairing.
- 2 Remove 3 existing bolts from the oil inspection cover, shown as position Bolt 1, 2 & 3.
- 3 Place the secondary oil inspection cover over the stock cover.
- 4 Assemble 3 replacement bolts loosely in the correct position as shown.
- 5 Tighten bolts to a Torque of 10Nm as per Manufacturer's recommendations.
DO NOT OVERTIGHTEN.
- 6 Re-fit fairing.



SECONDARY WATER PUMP COVER – PART NO. EC-937-2016-5-GBR

- 1 Remove fairing.
- 2 Remove 3 existing bolts from the water pump cover, shown as position Bolt 1, 2 & 3.
- 3 Place the secondary water pump cover over the stock cover.
- 4 Assemble 3 replacement bolts loosely in the correct position as shown.
- 5 Tighten bolts to a Torque of 10Nm as per Manufacturer's recommendations.
DO NOT OVERTIGHTEN.
- 6 Re-fit fairing.



Engine Cover Set: EC-937-2016-SET-GBR EC-937-2016-1-GBR, EC-937-2016-2-GBR, EC-937-2016-4-GBR, EC-937-2016-5-GBR