

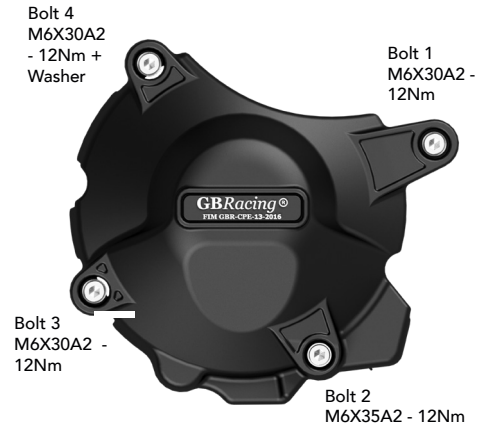
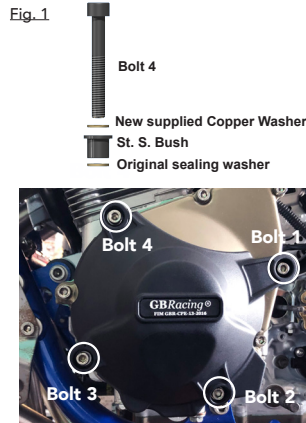
THIS SHEET INCLUDES FITTING INSTRUCTIONS FOR THE FOLLOWING PARTS:

Secondary Alternator Cover Part No. EC-GSF600-1995-1-GBR / Secondary Clutch Cover Part No. EC-GSF600-1995-2-GBR / Secondary Pulse / Timing Cover Part No. EC-GSF600-1995-3-GBR



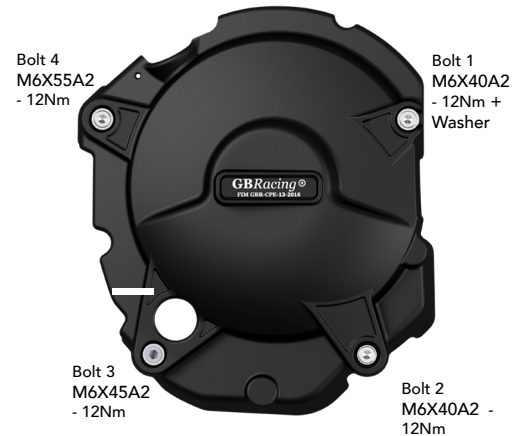
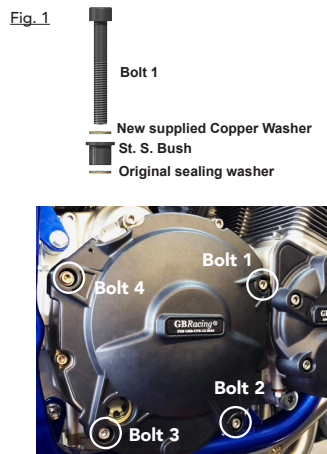
SECONDARY ALTERNATOR COVER PART NO. EC-GSF600-1995-1-GBR

- 1 Remove 4 existing bolts from the Stock Alternator cover, shown as position Bolt 1, 2, 3 & 4.
Note : Bolt 4 has sealing washer that need retaining for re-use later- See Fig. 1.
- 2 Place the Secondary Alternator Cover over the Stock cover.
- 3 Assemble the replacement bolt at Bolt position 4 through the secondary alternator cover, then re-assemble the stock sealing washer as shown in Fig.1.
- 4 Assemble remaining 3 replacement bolts loosely in the correct position as shown.
- 4 Tighten bolts to a Torque of 12Nm as per Manufacturer's recommendations.
DO NOT OVERTIGHTEN.



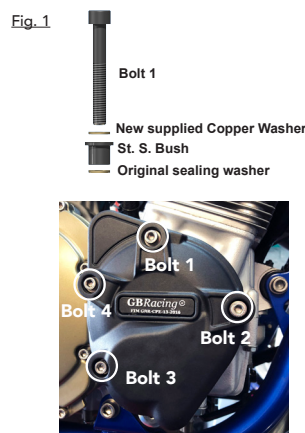
SECONDARY CLUTCH COVER PART NO. EC-GSF600-1995-2-GBR

- 1 Remove 4 existing bolts from the Stock Clutch cover, shown as position Bolt 1, 2, 3 & 4.
Note : Bolt 1 has sealing washer that need retaining for re-use later- See Fig. 1.
- 2 Place the Secondary Clutch Cover over the Stock cover.
- 3 Assemble the replacement bolt at Bolt position 1 through the secondary clutch cover, then re-assemble the stock sealing washer as shown in Fig.1.
- 4 Assemble remaining 3 replacement bolts loosely in the correct position as shown.
- 4 Tighten bolts to a Torque of 12Nm as per Manufacturer's recommendations.
DO NOT OVERTIGHTEN.



SECONDARY PULSE COVER PART NO. EC-GSF600-1995-3-GBR

- 1 Remove 4 existing bolts from the Stock Pulse cover, shown as position Bolt 1, 2, 3 & 4.
Note : Bolt 1 has sealing washer that need retaining for re-use later- See Fig. 1.
- 2 Place the Secondary Pulse Cover over the Stock cover.
- 3 Assemble the replacement bolt at Bolt position 1 through the secondary Pulse cover, then re-assemble the stock sealing washer as shown in Fig.1.
- 4 Assemble remaining 3 replacement bolts loosely in the correct position as shown.
- 4 Tighten bolts to a Torque of 12Nm as per Manufacturer's recommendations.
DO NOT OVERTIGHTEN.



SET:

Engine Cover Set: EC-GSF600-1995-SET-GBR

EC-GSF600-1995-1-GBR, EC-GSF600-1995-2-GBR, EC-GSF600-1995-3-GBR

www.GBRacing.eu