

THIS SHEET INCLUDES FITTING INSTRUCTIONS FOR THE FOLLOWING PARTS:

Secondary Alternator Cover Part No. EC-CBR500R-2019-1-GBR

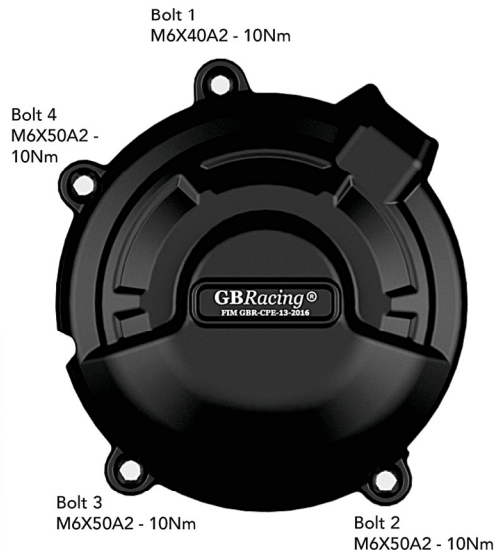
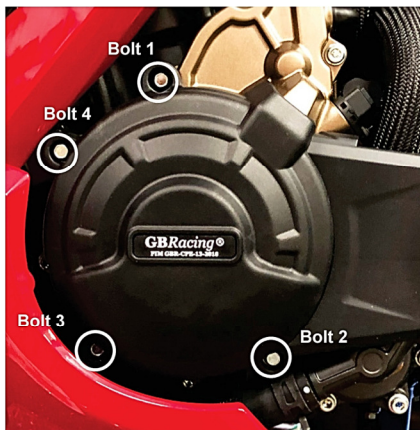
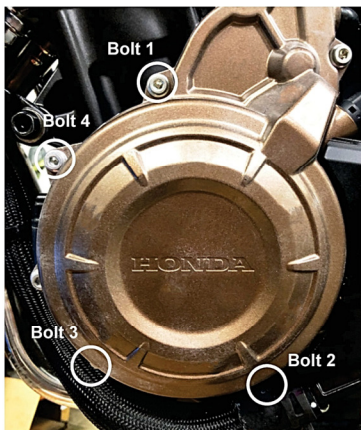
Secondary Clutch Cover Part No. EC-CBR500R-2019-2-GBR

Secondary Pulse Cover Part No. EC-CBR500-2013-3-GBR



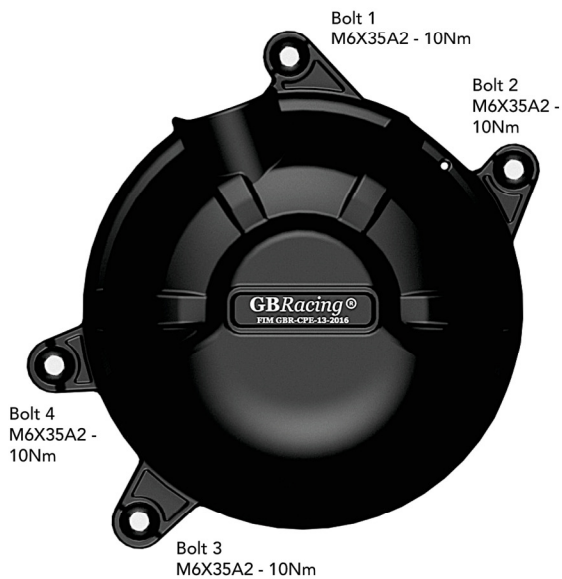
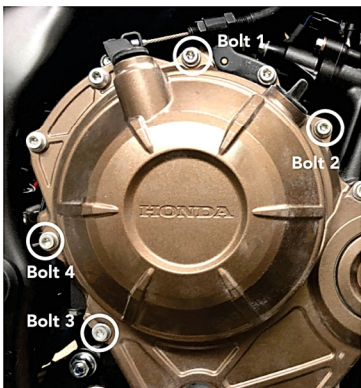
SECONDARY ALTERNATOR COVER PART NO. EC-CBR500R-2019-1-GBR

- 1 Remove lower fairing.
- 2 Remove 4 existing bolts at bolt positions 1, 2, 3 & 4 from the stock Alternator Cover.
- 3 Place the Secondary Alternator Cover over the stock cover.
- 4 Assemble 4 replacement bolts loosely in the correct position as shown.
- 5 Tighten bolts to a Torque of 10Nm as per Manufacturer's recommendations.
DO NOT OVERTIGHTEN
- 6 Refit the lower fairing.



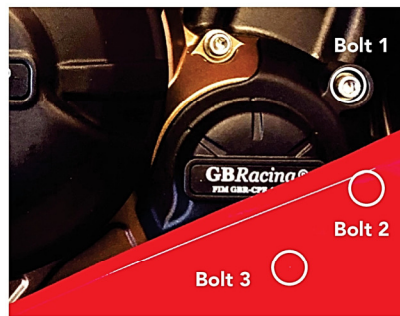
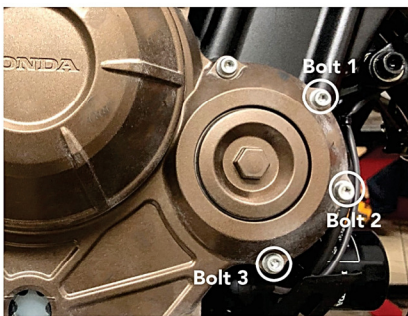
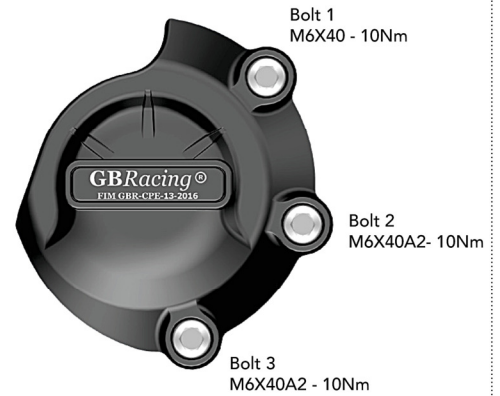
SECONDARY CLUTCH COVER PART NO. EC-CBR500R-2019-2-GBR

- 1 Remove 4 existing bolts at bolt positions 1, 2, 3 & 4 from the stock Clutch Cover.
- 2 Place the Secondary Clutch Cover over the stock cover.
- 3 Assemble 4 replacement bolts loosely in the correct position as shown.
- 4 Tighten bolts to a Torque of 10Nm as per Manufacturer's recommendations.
DO NOT OVERTIGHTEN



SECONDARY PULSE COVER PART NO. EC-CBR500-2013-3-GBR

- 1 Remove lower fairing.
- 2 Remove 3 existing bolts from the stock Pulse cover, shown as position Bolt 1, 2, & 3.
- 3 Place the Secondary Pulse Cover over the stock cover.
- 4 Assemble the 3 replacement bolts loosely in the correct position as shown.
- 5 Tighten bolts to a Torque of 10Nm as per manufacturers recommendations.
- 6 Replace lower fairing.



Engine Cover Set: EC-CBR500R-2019-SET-GBR

EC-CBR500R-2019-1-GBR, EC-CBR500R-2019-2-GBR, EC-CBR500-2013-3-GBR