

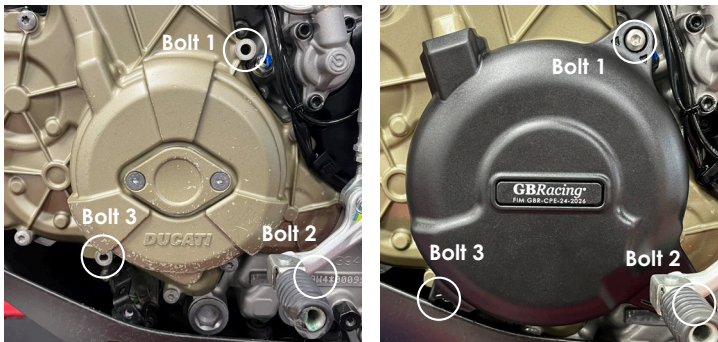


THIS SHEET INCLUDES FITTING INSTRUCTIONS FOR THE FOLLOWING PARTS:

Secondary Alternator Cover Part No. EC-698-2024-1-GBR / Secondary Clutch Cover Part No. EC-698-2024-2-GBR

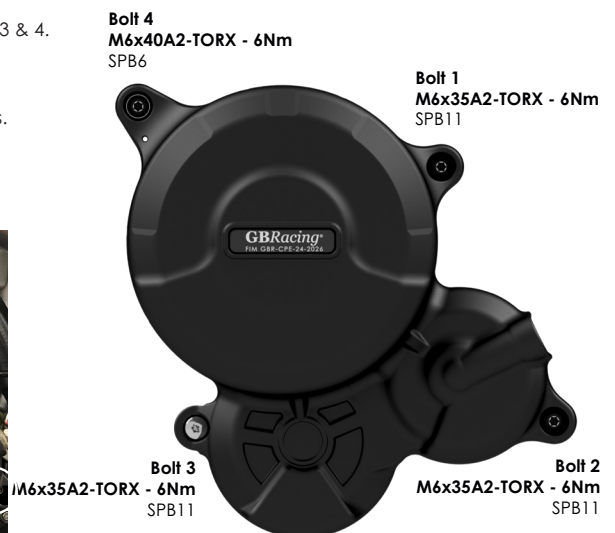
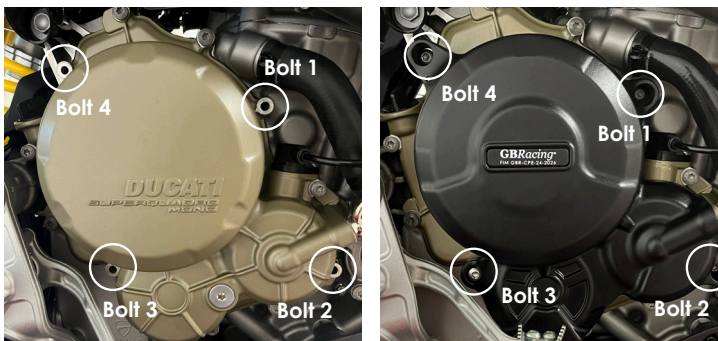
**SECONDARY ALTERNATOR COVER
PART NO. EC-698-2024-1-GBR**

- 1 Remove 3 existing bolts from the Alternator cover, shown as position Bolt 1, 2 & 3.
- 2 Place the Secondary Alternator Cover over the stock cover.
- 3 Assemble 3 replacement bolts loosely in the correct position as shown.
- 4 Tighten bolts to a Torque of 6Nm as per manufacturer's recommendations.
DO NOT OVERTIGHTEN.



**SECONDARY CLUTCH COVER
PART NO. EC-698-2024-2-GBR**

- 1 Remove 4 existing bolts from the Clutch cover, shown as position Bolt 1, 2, 3 & 4.
- 2 Place the Secondary Clutch Cover over the stock cover.
- 3 Assemble 4 replacement bolts loosely in the correct position as shown.
- 4 Tighten bolts to a Torque of 6Nm as per manufacturer's recommendations.
DO NOT OVERTIGHTEN.



Engine Cover Set: EC-698-2024-SET-GBR
EC-698-2024-1-GBR, EC-698-2024-2-GBR